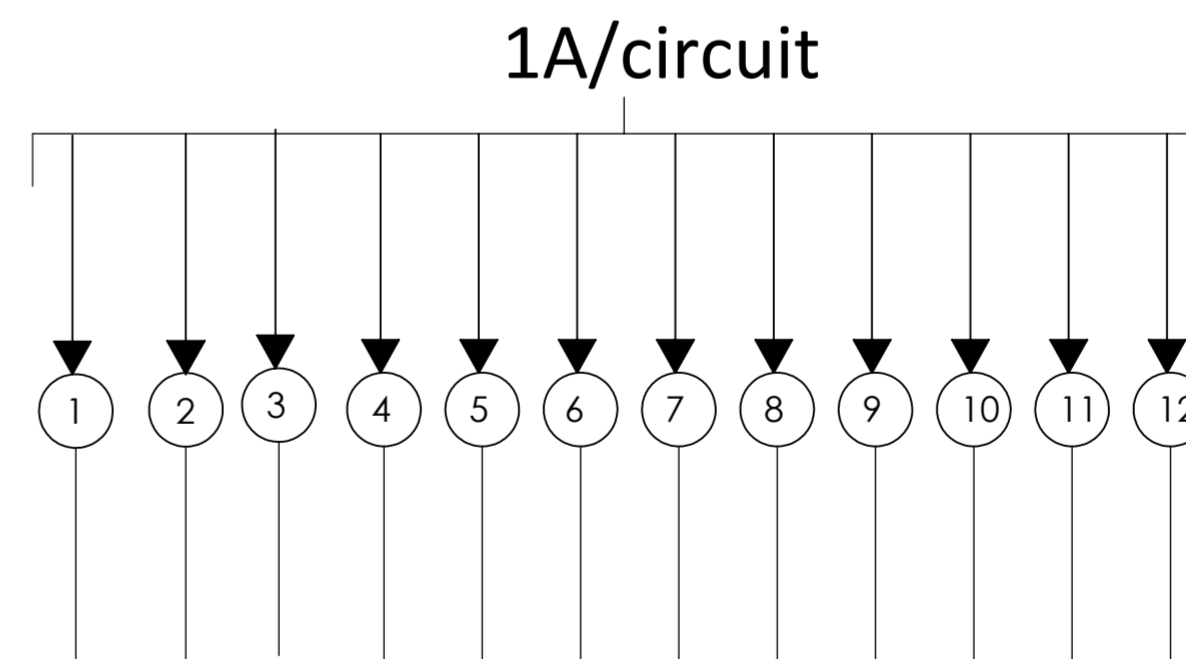
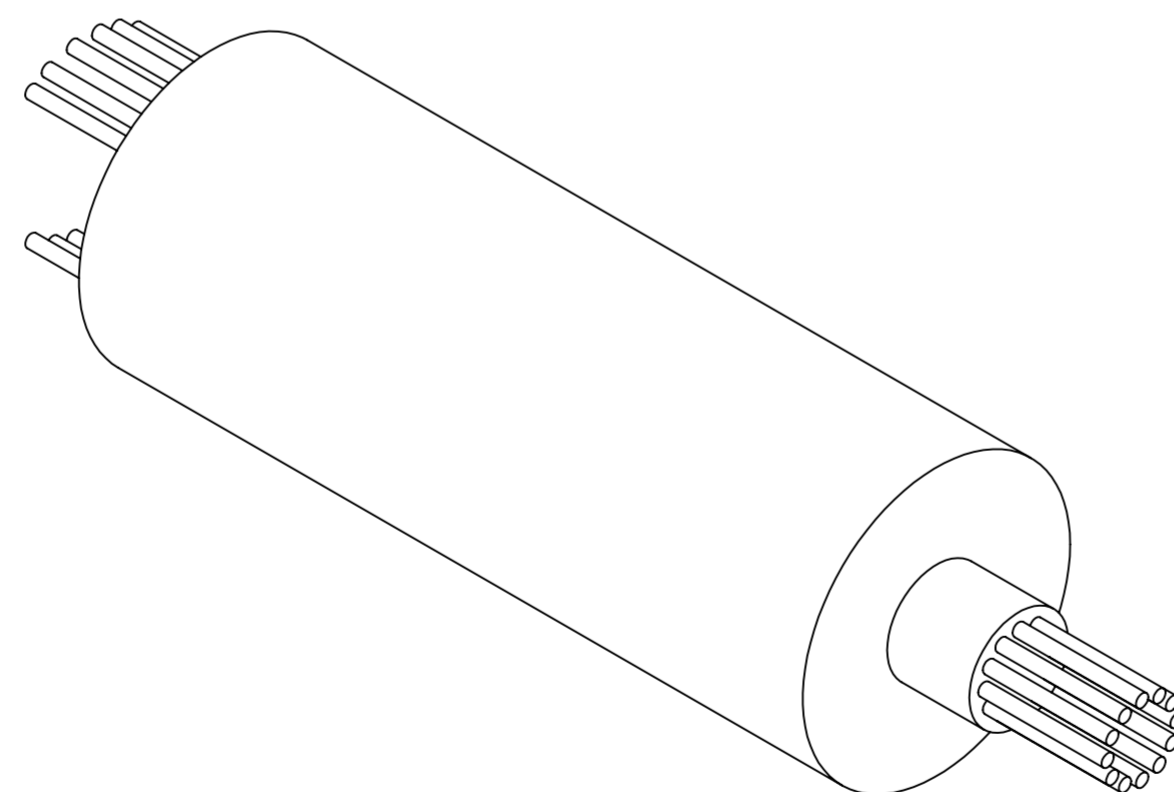


Number of rings:	12 rings
Rated voltage:	0-240VAC/VDC
Rated current:	1A/ring
Dielectric strength:	300VAC@50Hz,60s
Insulation resistance:	>300M Ω /500VDC
Dynamic contact resistance:	<0.01 Ω
Contact material:	gold -gold
Housing material:	plastic
Operating temperature:	-20°C~ +80°C
Operating speed:	0≈ 500 rpm
IP Grade:	IP54



"WE RESERVE ALL RIGHTS IN CONNECTION WITH THIS DOCUMENT AND IN THE SUBJECT MATTER REPRESENTED THEREIN. THE RECIPIENT HEREBY ACKNOWLEDGES THESE RIGHTS AND SHALL NOT, WITHOUT OUR PRIOR PERMISSION IN WRITING, DISCLOSE OR DIVULGE THIS DOCUMENT IN WHOLE OR IN PART TO THE THIRD PARTIES OR USE IT FOR ANY PURPOSE OTHER THAN THAT FOR WHICH IT WAS DELIVERED TO RECIPIENT."

ANGULAR TOLERANCE: $\pm 0,5^\circ$
TOLERANCE:
0,5 - 6 $\pm 0,1$
>6 - 30 $\pm 0,2$
>30 - 120 $\pm 0,3$
>120 - 400 $\pm 0,5$
>400 - 1000 $\pm 0,8$
>1000 - 2000 $\pm 1,2$
>2000 - 4000 $\pm 2,0$

CUSTOMER:
APPLICATION:
PROJECTION:



Slip Ring Outline Drawing

ZER-X1M-12

ARTICLE NO:	Designer: BHI	Date: 5.08.2021	Drawing No: 2054	Rev:1
-------------	---------------	-----------------	------------------	-------